

Enhancement Mode N-Channel Power MOSFET

Features

- ◆ Low $R_{DS(on)}$ & FOM
- ◆ Extremely low switching loss
- ◆ Excellent stability and uniformity
- ◆ Easy to drive

Applications

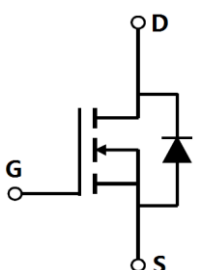

- ◆ Lighting
- ◆ Hard switching PWM
- ◆ Server power supply
- ◆ Charger

■ General Description

OSG65R2K4x use advanced GreenMOSTM technology to provide low $R_{DS(ON)}$, low gate charge, fast switching and excellent avalanche characteristics. This device is suitable for active power factor correction and switching mode power supply applications.

◆ $V_{DS, min@Tjmax}$	700 V
◆ $I_{D, pulse}$	6 A
◆ $R_{DS(ON), max @ VGS=10 V}$	2.4 Ω
◆ Q_g	5.1 nC

■ Schematic and Package Information

Schematic Diagram 	Pin Assignment Top View 
	TO251 TO252 TO220F TO220 OSG65R2K4A OSG65R2K4D OSG65R2K4F OSG65R2K4P

■ Absolute Maximum Ratings at $T_j=25^\circ\text{C}$ unless otherwise noted

Parameter	Symbol	Value	Unit
Drain source voltage	V_{DS}	650	V
Gate source voltage	V_{GS}	± 30	V
Continuous drain current ¹⁾	I_D	2	A
Continuous drain current ¹⁾ $T_j=100^\circ\text{C}$		1.25	
Pulsed drain current ²⁾	$I_{D, pulse}$	6	A
Power dissipation ³⁾ for TO251, TO252, TO220	P_D	18	W
Power dissipation ³⁾ for TO220F		20	
Single pulsed avalanche energy ⁵⁾	E_{AS}	56	mJ
MOSFET dv/dt ruggedness, $V_{DS}=0\dots 480\text{ V}$	dv/dt	50	V/ns
Reverse diode dv/dt, $V_{DS}=0\dots 480\text{ V}$, $I_{SD}\leq I_D$	dv/dt	15	V/ns
Operation and storage temperature	T_{stg}, T_j	-55 to 150	$^\circ\text{C}$

■ Thermal Characteristics

Parameter	Symbol	Value		Unit
		TO251/TO252/TO220	TO220F	
Thermal resistance, junction-case	$R_{\theta JC}$	6.3	6.9	$^{\circ}\text{C}/\text{W}$
Thermal resistance, junction-ambient ⁴⁾	$R_{\theta JA}$	62	62.5	$^{\circ}\text{C}/\text{W}$

■ Electrical Characteristics at $T_j=25^{\circ}\text{C}$ unless otherwise specified

Parameter	Symbol	Min.	Typ.	Max.	Unit	Test condition
Drain-source breakdown voltage	BV_{DSS}	650			V	$V_{GS}=0\text{ V}, I_D=250\ \mu\text{A}$
		700	770			$V_{GS}=0\text{ V}, I_D=250\ \mu\text{A}$ $T_j=150^{\circ}\text{C}$
Gate threshold voltage	$V_{GS(th)}$	2.0		4.0	V	$V_{DS}=V_{GS}, I_D=250\ \mu\text{A}$
Drain-source on-state resistance	$R_{DS(on)}$		2.1	2.4	Ω	$V_{GS}=10\text{ V}, I_D=1\text{ A}$
			5.2			$V_{GS}=10\text{ V}, I_D=1\text{ A},$ $T_j=150^{\circ}\text{C}$
Gate-source leakage current	I_{GSS}			100	nA	$V_{GS}=30\text{ V}$
				-100		$V_{GS}=-30\text{ V}$
Drain-source leakage current	I_{DSS}			1	μA	$V_{DS}=650\text{ V}, V_{GS}=0\text{ V}$

■ Dynamic Characteristics

Parameter	Symbol	Min.	Typ.	Max.	Unit	Test condition
Input capacitance	C_{iss}		118		pF	$V_{GS}=0\text{ V},$ $V_{DS}=50\text{ V},$ $f=1\text{ MHz}$
Output capacitance	C_{oss}		12.5		pF	
Reverse transfer capacitance	C_{rss}		0.76		pF	
Turn-on delay time	$t_{d(on)}$		46.4		ns	$V_{GS}=10\text{ V},$ $V_{DS}=380\text{ V},$ $R_G=25\ \Omega,$ $I_D=2\text{ A}$
Rise time	t_r		28.8		ns	
Turn-off delay time	$t_{d(off)}$		111.1		ns	
Fall time	t_f		48		ns	

■ Gate Charge Characteristics

Parameter	Symbol	Min.	Typ.	Max.	Unit	Test condition
Total gate charge	Q_g		5.7		nC	$I_D=2\text{ A}$, $V_{DS}=480\text{ V}$, $V_{GS}=10\text{ V}$
Gate-source charge	Q_{gs}		1.1		nC	
Gate-drain charge	Q_{gd}		2.5		nC	
Gate plateau voltage	V_{plateau}		5.4		V	

■ Body Diode Characteristics

Parameter	Symbol	Min.	Typ.	Max.	Unit	Test condition
Diode forward current	I_S			2	A	$V_{GS} < V_{th}$
Pulsed source current	I_{SP}			6		
Diode forward voltage	V_{SD}			1.4	V	$I_S=2\text{ A}$, $V_{GS}=0\text{ V}$
Reverse recovery time	t_{rr}		130		ns	$V_R=400\text{ V}$, $I_S=2\text{ A}$, $di/dt=100\text{ A}/\mu\text{s}$
Reverse recovery charge	Q_{rr}		0.655		μC	
Peak reverse recovery current	I_{rrm}		8.5		A	

■ Note

- 1) Calculated continuous current based on maximum allowable junction temperature.
- 2) Repetitive rating; pulse width limited by max. junction temperature.
- 3) P_d is based on max. junction temperature, using junction-case thermal resistance.
- 4) The value of $R_{\theta JA}$ is measured with the device mounted on 1 in 2 FR-4 board with 2oz. Copper, in a still air environment with $T_a=25\text{ }^\circ\text{C}$.
- 5) $V_{DD}=50\text{ V}$, $R_G=25\text{ }\Omega$, $L=20\text{ mH}$, starting $T_j=25\text{ }^\circ\text{C}$.

■ Electrical Characteristics Diagrams

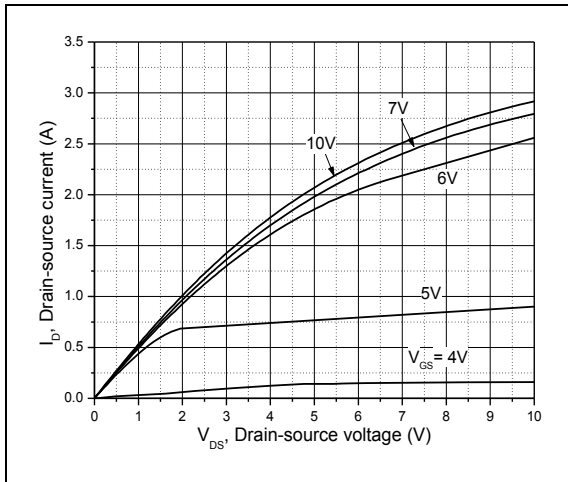


Figure 1, Typ. output characteristics

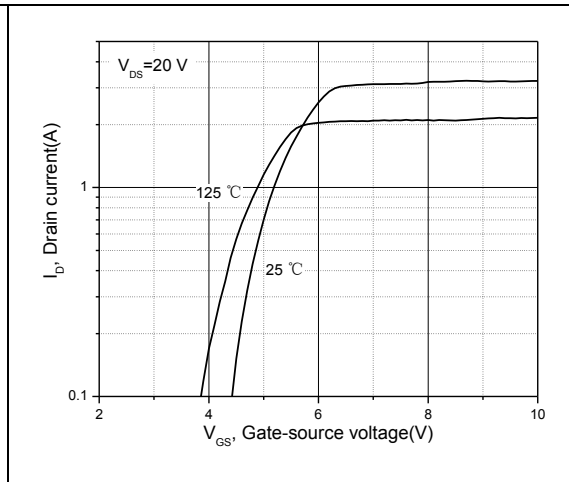


Figure 2, Typ. transfer characteristics

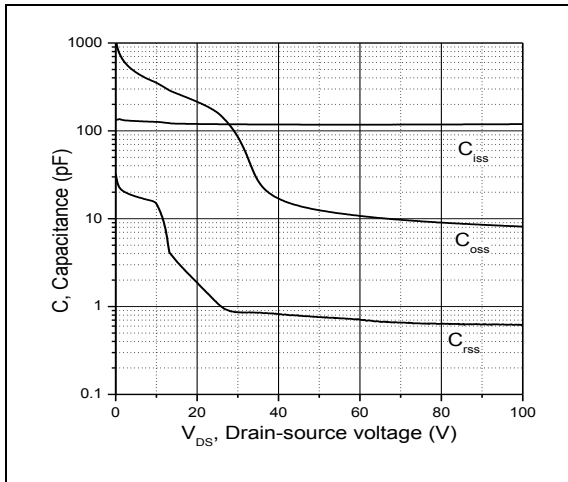


Figure 3, Typ. capacitances

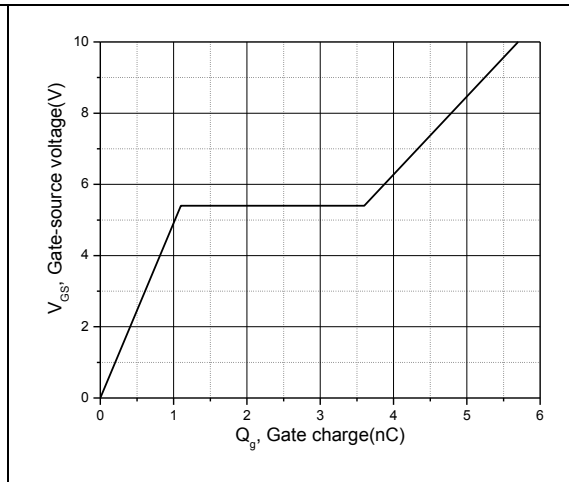


Figure 4, Typ. gate charge

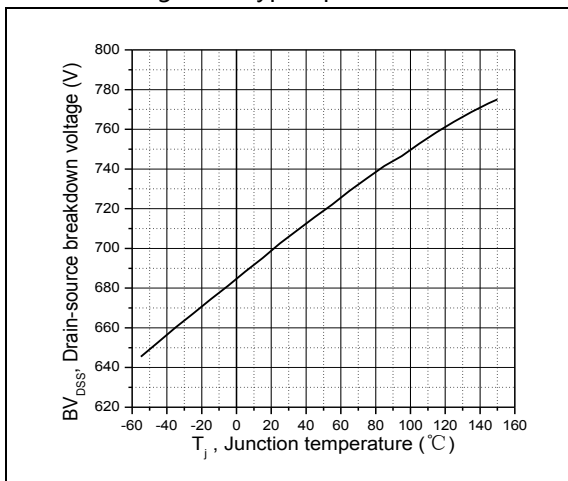


Figure 5, Drain-source breakdown voltage

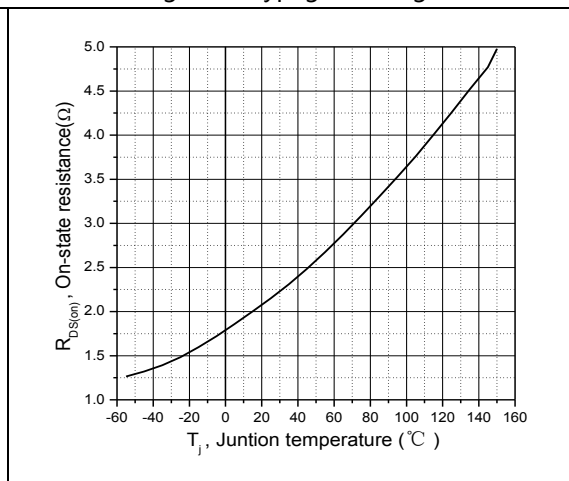


Figure 6, Drain-source on-state resistance

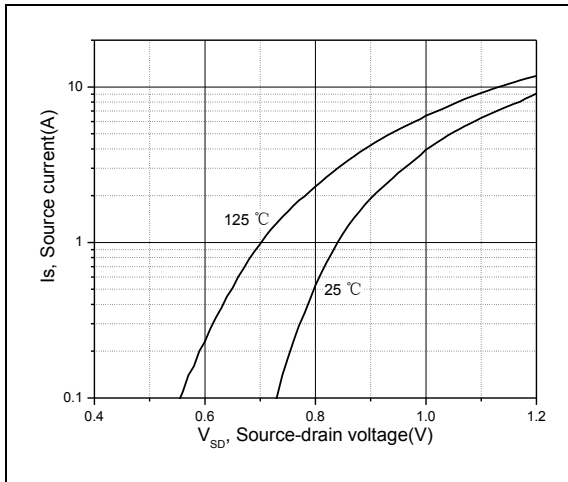


Figure 7, Forward characteristic of body diode

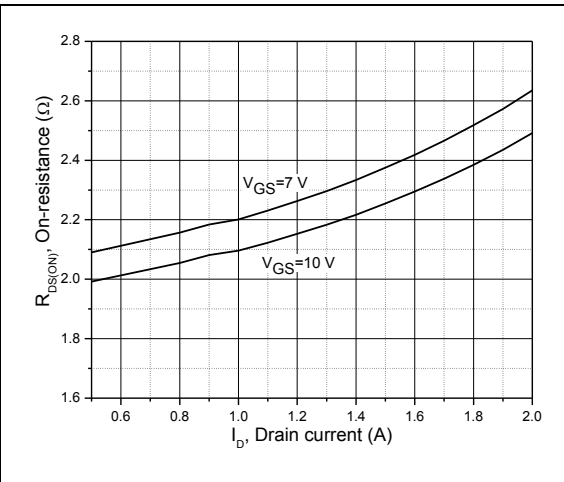


Figure 8, Drain-source on-state resistance

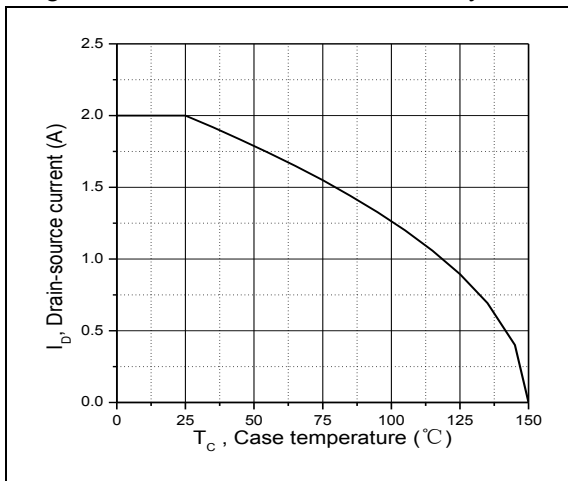


Figure 9, Drain current

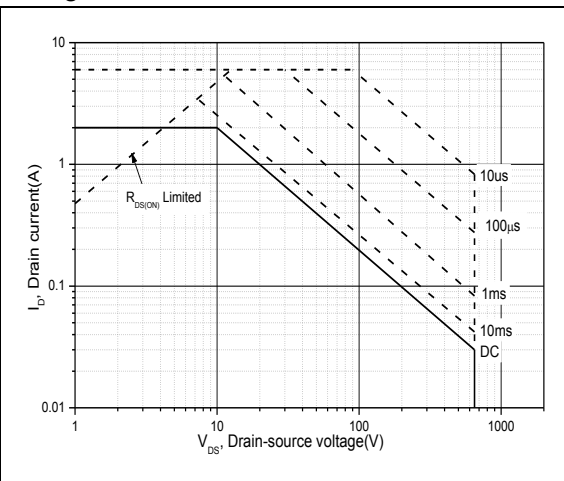


Figure 10, Safe operation area for TO251/TO252/TO220 $T_C=25\text{ }^\circ\text{C}$

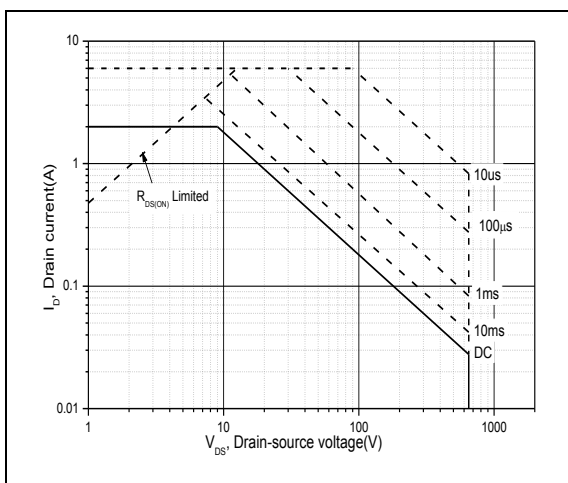


Figure 11, Safe operation area for TO220F $T_C=25\text{ }^\circ\text{C}$

■ Test circuits and waveforms

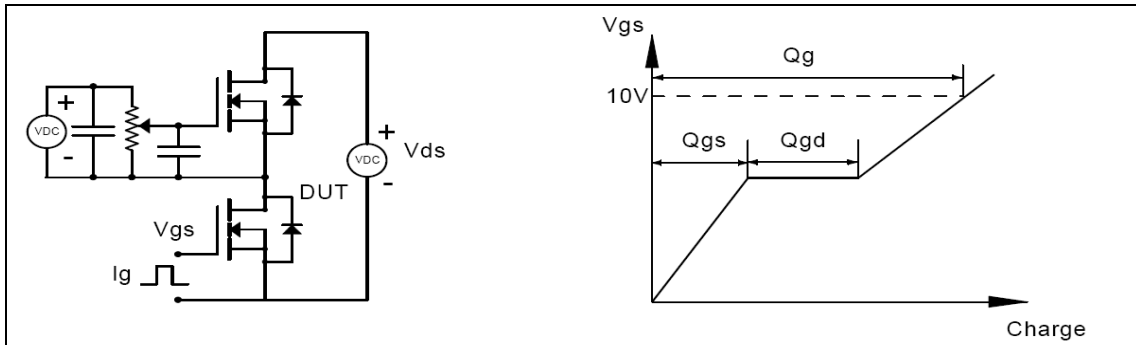


Figure 1, Gate charge test circuit & waveform

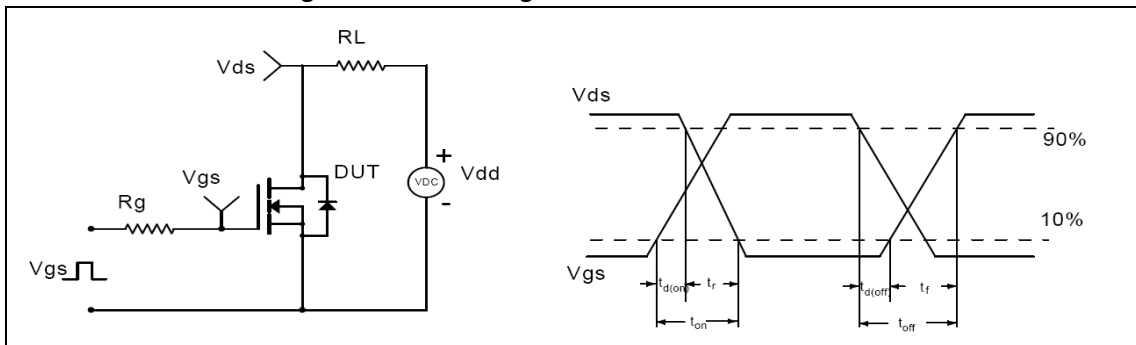


Figure 2, Switching time test circuit & waveforms

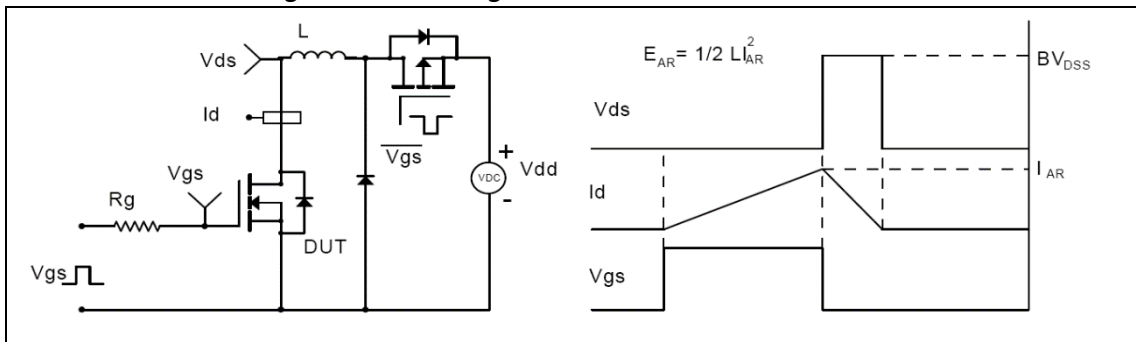


Figure 3, Unclamped inductive switching (UIS) test circuit & waveforms

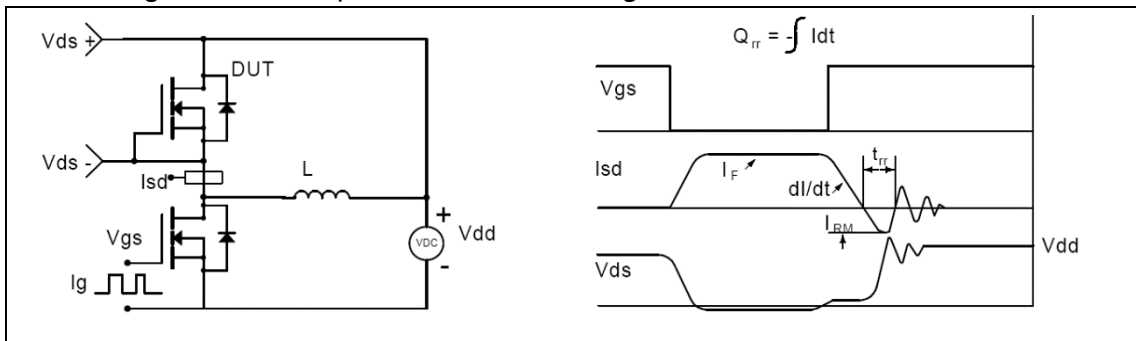
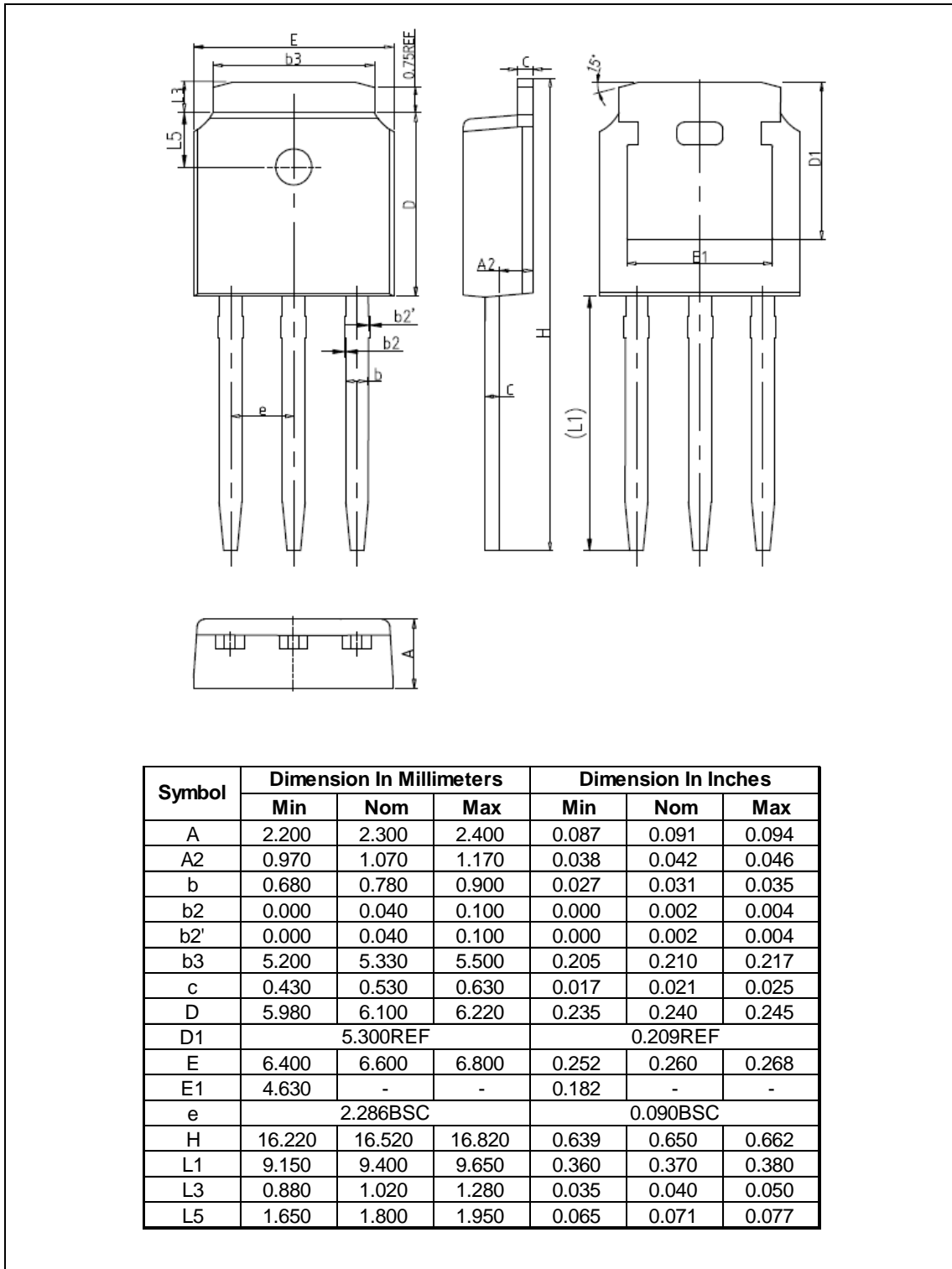


Figure 4, Diode reverse recovery test circuit & waveforms

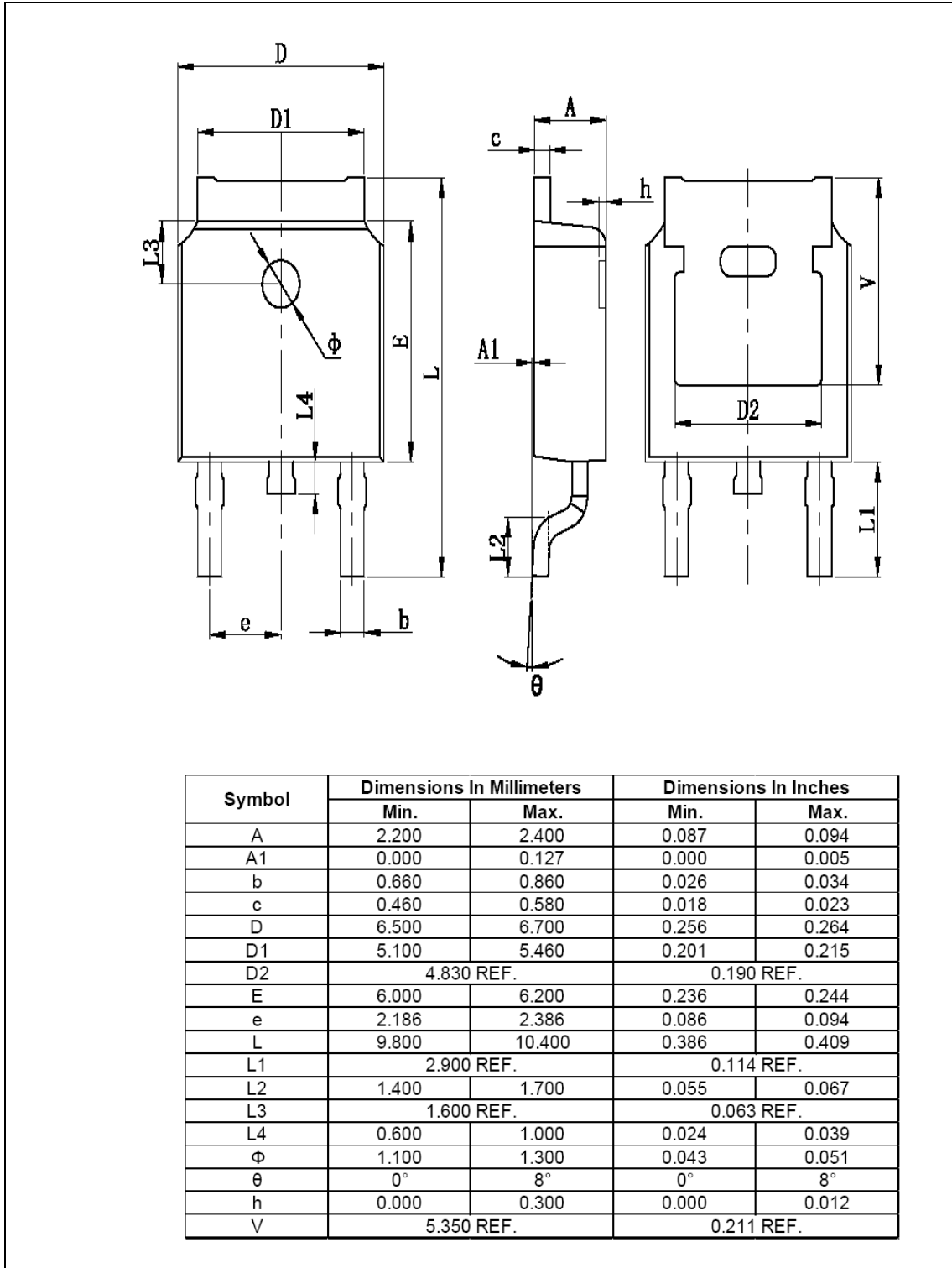
■ Package Information

Figure1, TO251 package outline dimension



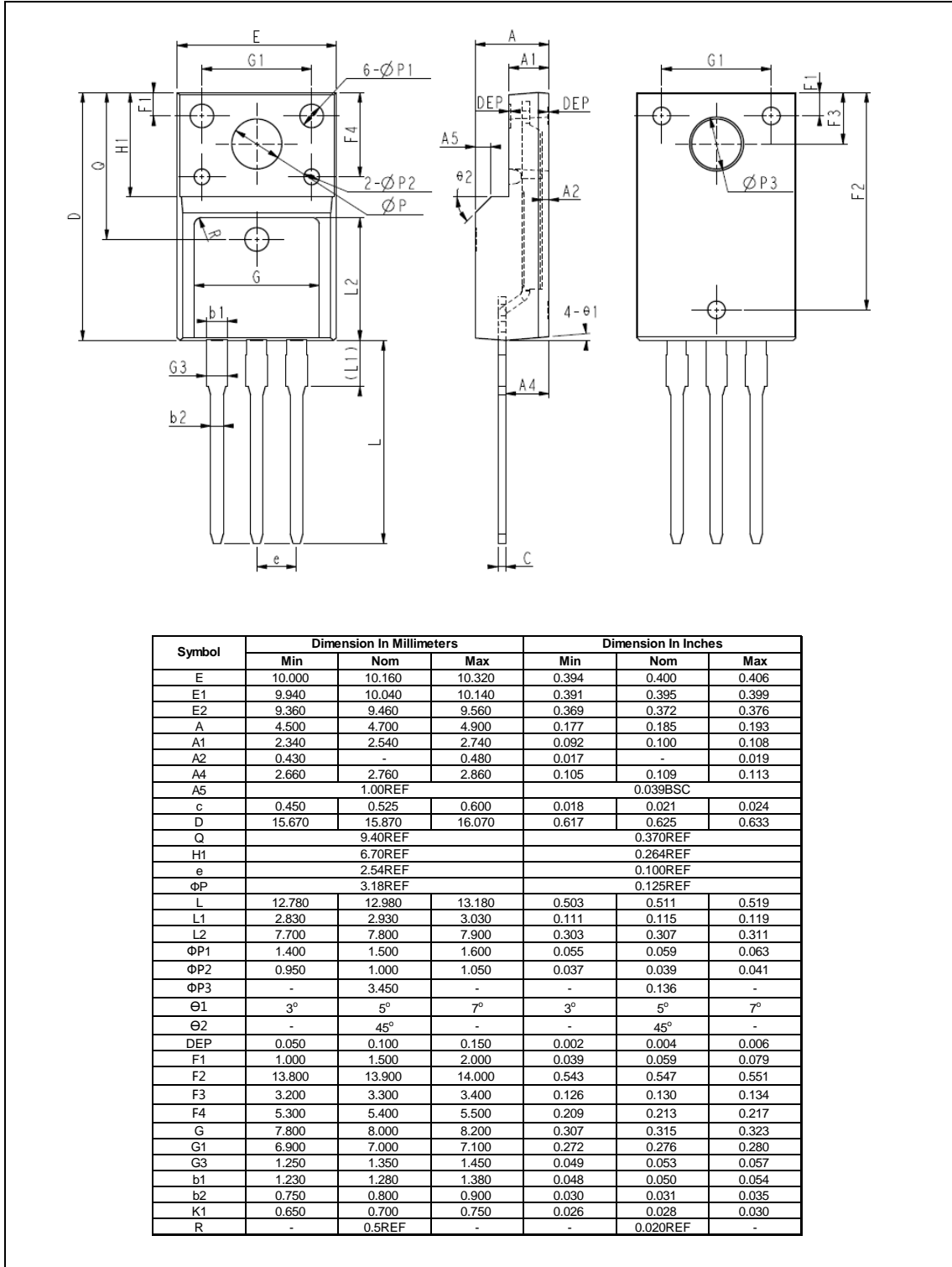
■ Package Information

Figure2, TO252 package outline dimension



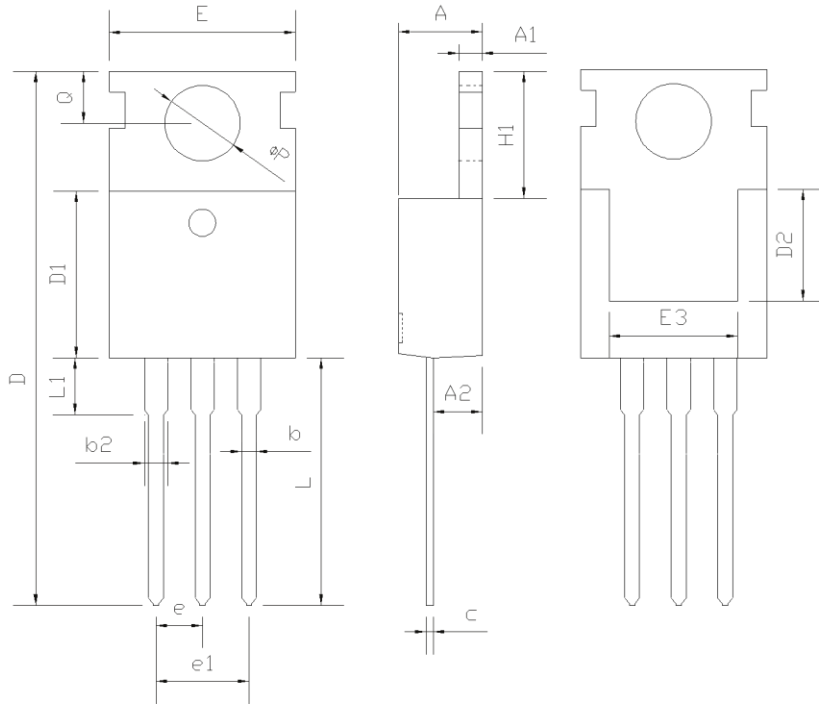
■ Package Information

Figure3, TO220F package outline dimension



■ Package Information

Figure4, TO220 package outline dimension



Symbol	Min	Nom	Max
A	4.37	4.57	4.77
A1	1.25	1.30	1.45
A2	2.20	2.40	2.60
b	0.70	0.80	0.95
b2	1.17	1.27	1.47
c	0.40	0.50	0.65
D	15.10	15.60	16.10
D1	8.80	9.10	9.40
D2	5.50	-	-
E	9.70	10.00	10.30
E3	7.00	-	-
e	2.54 BSC		
e1	5.08 BSC		
H1	6.25	6.50	6.85
L	12.75	13.50	13.80
L1	-	3.10	3.40
ΦP	3.40	3.60	3.80
Q	2.60	2.80	3.00

■ Ordering Information

Package	Units/Tube	Tubes/Inner Box	Units/Inner Box	Inner Box/Carton Box	Units/Carton Box
TO251	75	66	4950	6	29700
TO252 Option1	75	66	4950	6	29700
TO220F	50	20	1000	6	6000
TO220	50	20	1000	6	6000

Package	Units/Tape	Tapes/Inner Box	Units/Inner Box	Inner Box/Carton Box	Units/Carton Box
TO252 Option2	2500	2	5000	5	25000

■ Product Information

Product	Package	Pb Free	RoHS	Halogen Free
OSG65R2K4A	TO251	yes	yes	no
OSG65R2K4AF	TO251	yes	yes	yes
OSG65R2K4D	TO252	yes	yes	no
OSG65R2K4DF	TO252	yes	yes	yes
OSG65R2K4F	TO220F	yes	yes	no
OSG65R2K4FF	TO220F	yes	yes	yes
OSG65R2K4P	TO220	yes	yes	no
OSG65R2K4PF	TO220	yes	yes	yes